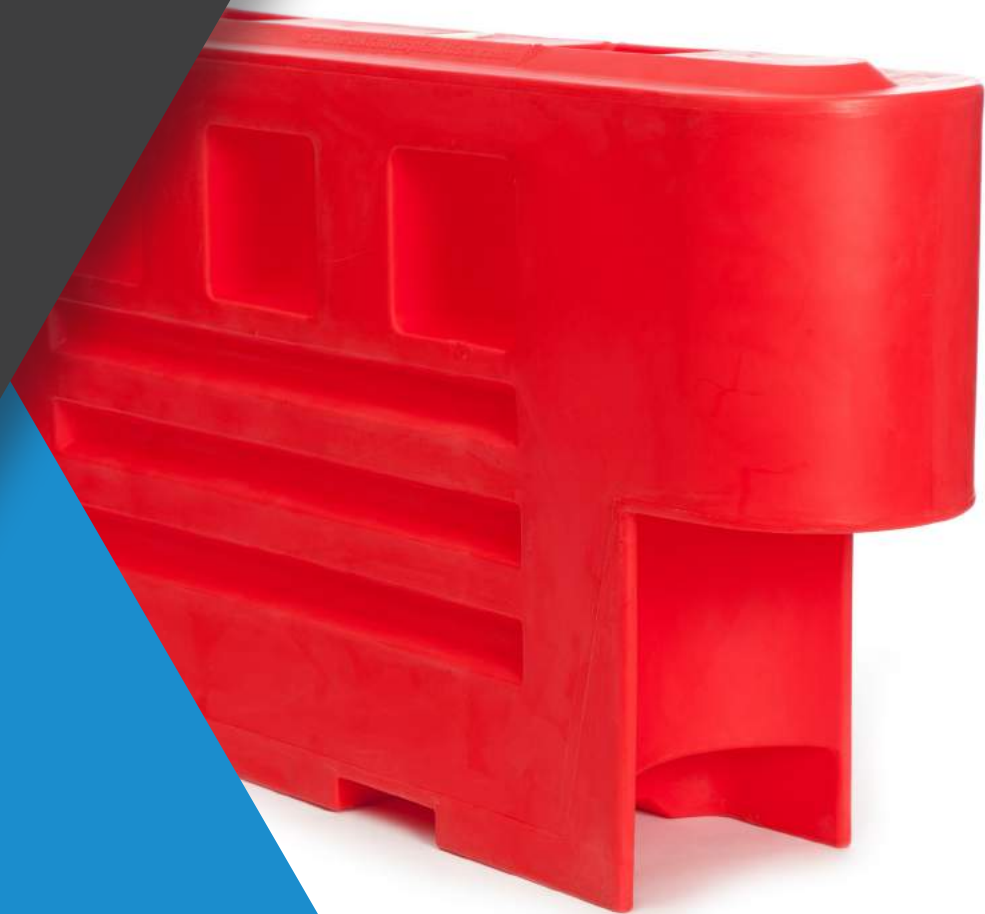


safesite[®]

F A C I L I T I E S

2000 Barrier

SPECIFICATION SHEET



2000 Barrier

The 2000 barrier is a low containment water filled barrier system designed specifically for directional purposes.

Designed with a patented 5 position interlocking system, the 2000 barrier can be positioned in straight lines across uneven surfaces, and will flow smoothly around bends and corners.

2000 barriers are manufactured from prime polythene, being lightweight for ease of transportation and installation. Weighing only 35 kg when empty, each barrier will increase to a weight of 400kg when water filled.

The 2000 Barrier system is supplied in alternate red and white as standard, being a very visible sign of danger. Front and end stops can be provided to prevent trip hazards; a must when installing barriers specifically to direct pedestrians.

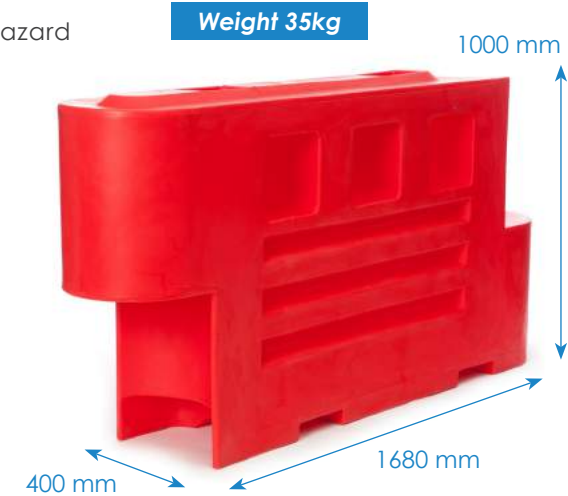
2000 Barrier Specification

Length	Height	Width	Weight Empty	Weight Full
1680mm	1000mm	400mm	35kg	400kg

Key Features

- Ideal for road and construction site safety
- Interlocking system makes them ideal for uneven surfaces
- 1 metre high heavy duty low level containment barrier
- Front and end stops are available to prevent trip hazard
- Lightweight when empty so easy to install
- Specific design creates a flat, solid wall
- Allows for angles and curves
- Fully compatible with mesh and hoarding panels
- Barrier system has been MIRA wind tested
- Weighing only 35kg when empty
- Delivery anywhere in the UK
- Available for hire or purchase

★ Trustpilot



Connection Pin For Interlocking



Male Connection End



2000 Barrier Hoarding

Add extra security and privacy to your site with our easy to install metal hoarding.

With the water filled 2000 barrier beneath acting as a solid footing the hoarding accessory can withstand wind speeds of up to 50mph.

Hoarding Panel Spec

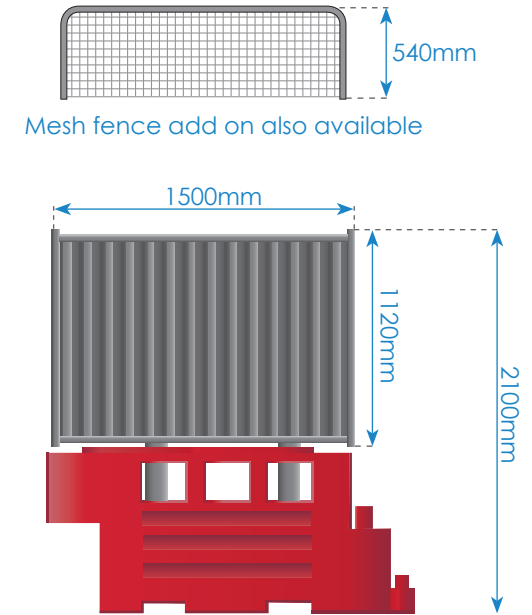
Length	Depth	Height	Weight
1500mm	40mm	1120mm	21kg

Mesh Fence Add On Spec

Width	Thickness	Height	Weight
1500mm	40mm	540mm	10kg

Key Features

- Lightweight for easy transporting and handling
- Increased height to 2.1m with hoarding panels
- Infill panels available for extra security
- Fit 25 per oversized pallet
- Units link via vertical pins
- Non-permanent fixing
- Rapid installation
- Highly visible white colour
- Steel powder coated



Please note: Adding infill panels will change the wind loading capabilities

2000 Barrier Fencing

In addition to the hoarding accessory we can also provide an anti-climb fence panel add-on.

The mesh fence is a perfect solution for sites where vision beyond the construction area is required. The panel gives the 2000 barrier a combined height of 2.1m.

2000 Fencing Panel Spec

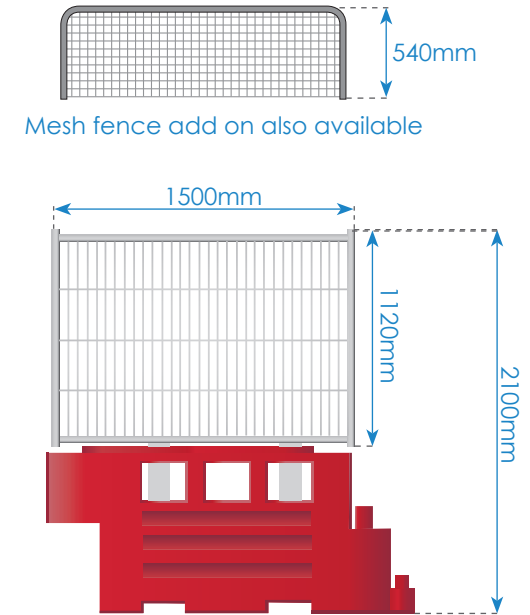
Length	Depth	Height	Weight
1500mm	40mm	1120mm	12kg

2000 Mesh Fence Add On Spec

Width	Thickness	Height	Weight
1852mm	38mm	540mm	10kg

Key Features

- Lightweight for easy transporting and handling
- Fit 25 per pallet
- Non-permanent fixing
- Rapid Installation
- Highly visible white colour
- Steel powder coated
- 2.1m total height



2000 Barrier Half Fencing Half Hoarding

Some sites may wish to conceal an untidy construction area from view of the public, while still being able to allow natural daylight through.

If this is a considerate for your site the half mesh / half hoarding panel provides the perfect solution. Despite being two elements in one the panel is formed as one single unit, and benefits from being as easy to install as the full mesh or hoarding panel.

2000 Fence Panel Spec

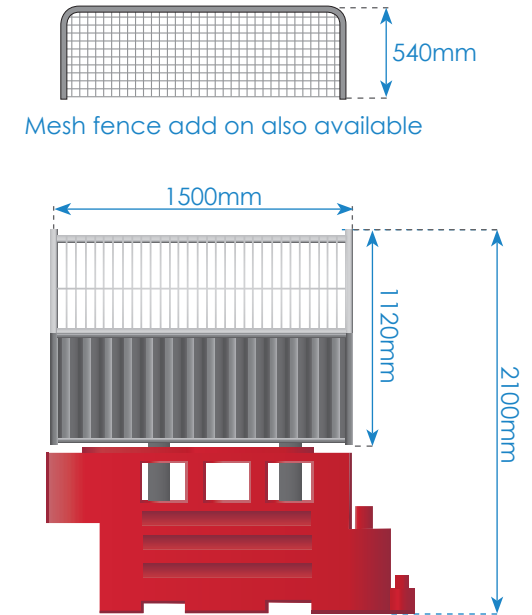
Length	Depth	Height	Weight
1500mm	40mm	1120mm	15kg

2000 Mesh Fence Add On Spec

Width	Thickness	Height	Weight
1500mm	40mm	540mm	10kg

Key Features

- Lightweight for easy transporting and handling
- Fit 25 per pallet
- Units link via vertical pins
- Non-permanent fixing
- Rapid Installation
- Highly visible white colour
- Steel powder coated



Half Mesh Half Hoarding Panel



Panel Creates A Total Height Of 2.1m



2000 Barrier Vehicle Gate

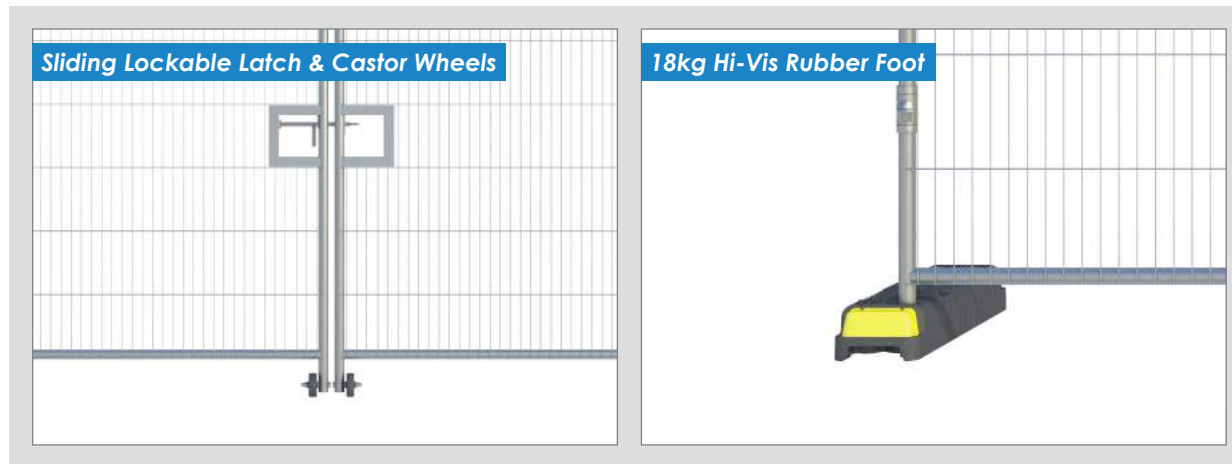
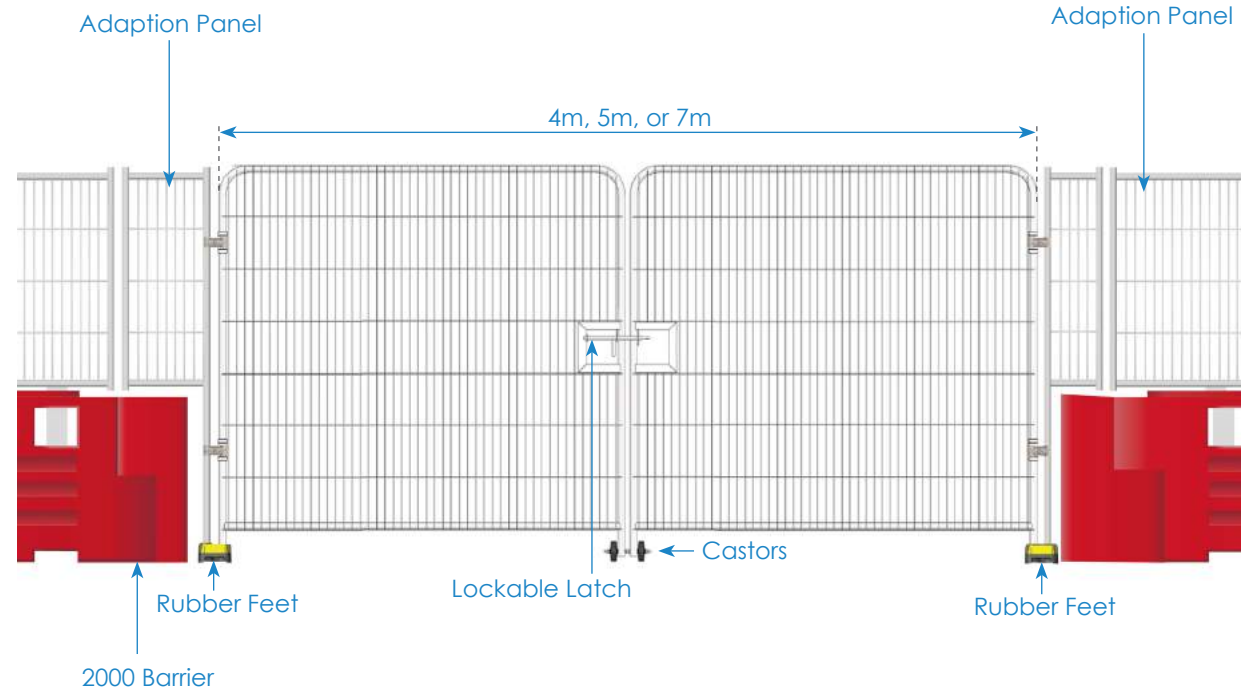
It is a common requirement for sites to provide vehicular access, the 2000 barrier can adhere to this need with a compatible vehicle gate.

The vehicle gate can be rapidly installed and is fixed to the existing 2000 barriers, the gate system also has its own 18kg thermoplastic rubber feet for extra stability.

The gates are available as either solid or mesh.

2000 Vehicle Gate Solid & Mesh

Gates (M)	W = 2m / 3m / 4m x H = XX
Flag Panels	W = 1 x 590mm 1 x 160mm
Rubber Feet	2 x 18kg
Barrier Ends	1 x 2000 End 1
	1 x 2000 End 2
Fill Panels	Optional Extras



2000 Barrier Pedestrian Gate

Ideal for pedestrian segregation, when safety and access are a priority, the pedestrian gate is necessary for both security and evacuation purposes.

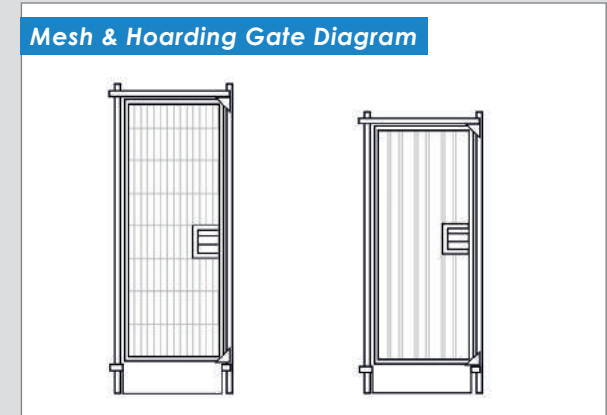
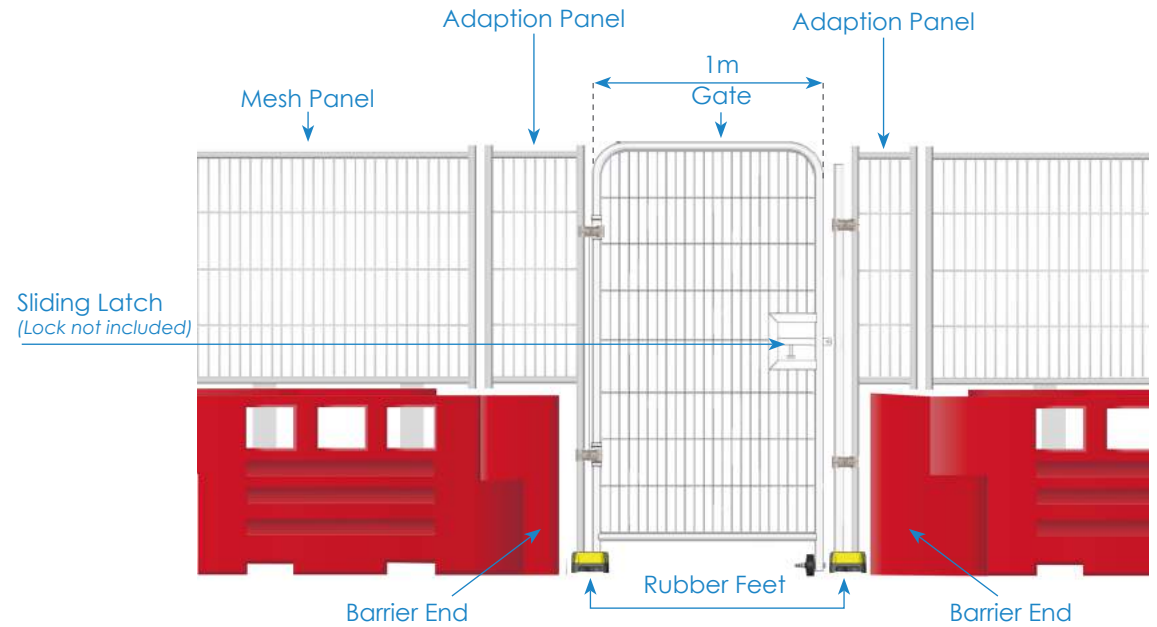
Supplied either framed or non framed, often the non framed option is preferable as it doesn't present restrictions when carrying long / tall materials onto site.

The pedestrian gate is efficient to install and can be fixed to the 2000 barriers, the gate system also has its own 18kg rubber feet for added stability.

2000 Pedestrian Gate Solid & Mesh

Gates (M)	W = 1 x H = 2.4m / Custom
Flag Panels	W = 1 x 590mm 1 x 1600mm
Rubber Feet	2 x 18kg
Barrier Ends	1 x 2000 End 1
	1 x 2000 End 2
Fill Panels	Optional Extras

Non Framed Version

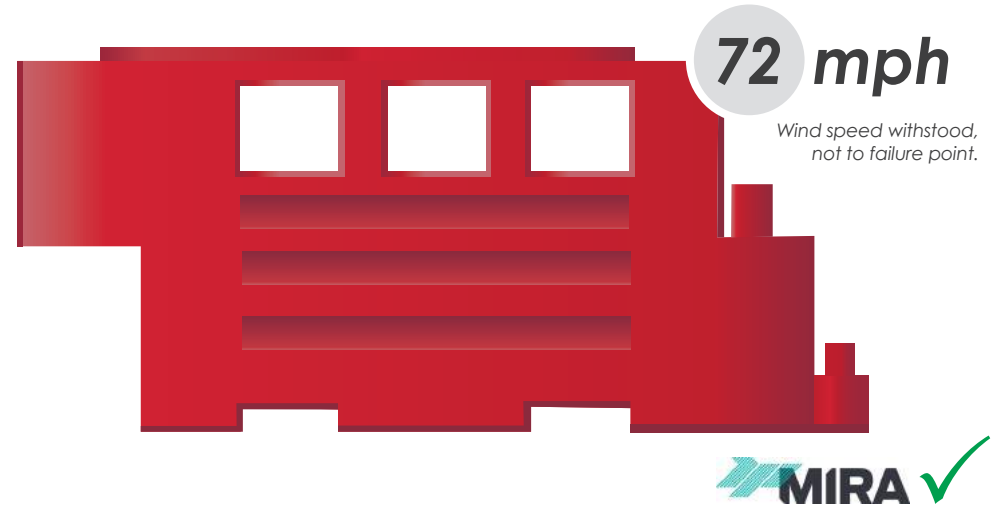


2000 Barrier Wind Loading

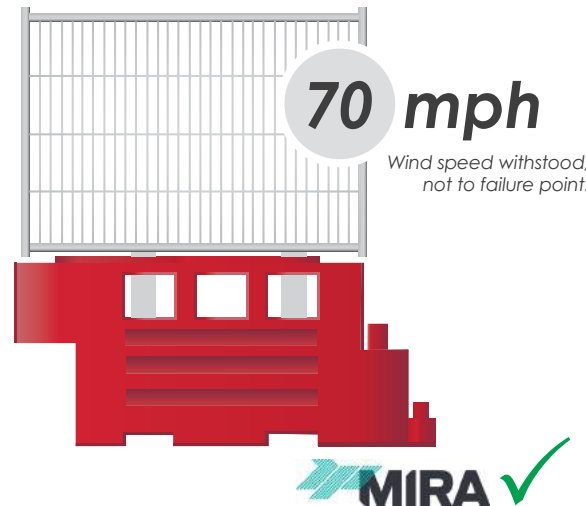
The 2000 water filled barrier system is a far safer and superior alternative to standard traffic cones, providing increased safety to both public and your workforce.

Unlike traditional traffic cones, when filled the barriers cannot easily be moved by either the vandals or the UK weather. The 2000 Barrier system has been MIRA wind tested to ensure that it will not fall foul to the elements; just three 2000 Barriers water filled to the recommended fill line were able to withstand wind speeds up to 71 mph.

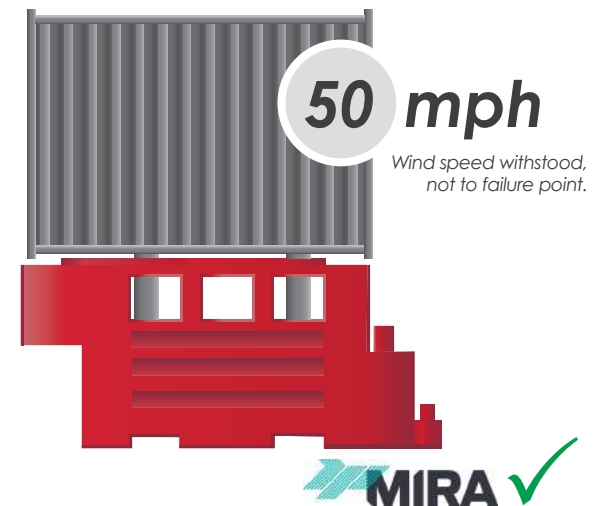
1 2000 Barrier



2 2000 Barrier + Mesh Fence



3 2000 Barrier + Hoarding Panel



2000 Barrier In Action

Shown to the right are some examples of the 2000 Barrier in use.

Each barrier measures 2 metres end to end, providing a ground coverage of 1.68m. The base width is just 0.4m ensuring it does not extend too far into either your site or the roadway, and each barrier measures 1 metre high. For additional security, either hoarding or mesh panels can be added to the 2000 barrier system, potentially increasing the overall height of your barrier to 2.1 metres.

Additional safety lights may be mounted onto the 2000 water filled barrier system to ensure top level visibility at any time of night or day.

2000 Barriers In London



2000 Barrier Protecting Pedestrians



2000 Barriers On Site

Large Boundary Created With 2000 Barrier



Protecting Temporary Works



Technical Details

