



Police Barrier

SPECIFICATION SHEET



Police Barrier

The Police Barrier is an innovative light weight crowd control barrier used to secure spectator safety and is an ideal solution for events such as demonstrations, football matches, pop concerts and any other event where a high security solution is required.

This barrier is less likely to topple over than many comparable products due to the depth of its 705mm angled base, accompanied by the combined security of connecting to each neighbouring barrier via an easy to use interlocking system. It is particularly suitable for controlling the flow of people and heavy crowd surges.

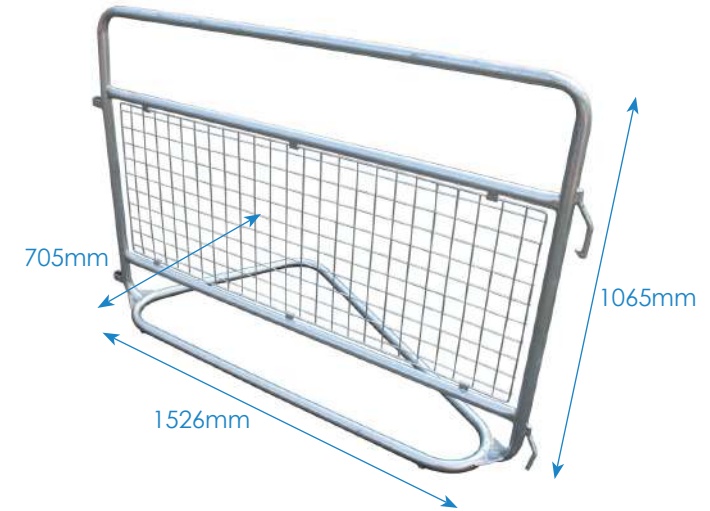
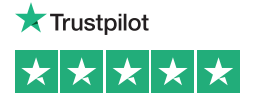
They can also be used in specific configurations, such as a box line, to create high security, sterile zones and difficult to breach barrier lines.

Specification

Finish	Height	Width	Depth	Weight
Post Galvanised	1065 mm	1526 mm	705 mm	26 kg

Key Features

- Integrated advertising / sponsorship opportunities
- Base designed to prevent sliding
- Ideal for high security areas
- Interlocking system
- Rapid installation and dismantling
- Designed to withstand crowd surges
- Ideally suited for site enclosure
- Suited for multiple event applications
- 30 can be stacked on just one stillage



Barriers On Stillage



Bottom Link



Police Barrier In Action

The images to the right clearly show the versatility of the Police barrier.

The barriers are made with a welded, galvanized tubular steel frame and fitted with a steel anti-climb mesh infill panel creating an attractive appearance. The unique footprint of the base is designed to prevent the barriers from sliding.

In addition to the rapid installation and dismantling process, the barrier can also be stacked and stored in units of thirty per stillage which can then be easily manoeuvred by a fork lift truck.

Barriers Joined



Top Link



Police Barrier Images

Police Barriers



Police Barriers Protecting Spectators



Police Barrier Stillage

The Police Barrier Stillage has been specifically designed to aid with transportation and installation.

The stillage can hold 30 Police Barriers at one time. The design makes it efficient to transport the barriers, keeping them compact, whilst also aiding with the installation process.

The stillage can be transported around site, taken out of the stillage slots and positioned in place, continuing this process until the barrier line is complete.

Stillage Specification

Construction	Weight	Barriers*	Length	Depth
Galvanised Steel	46kg	30	1624mm	930mm

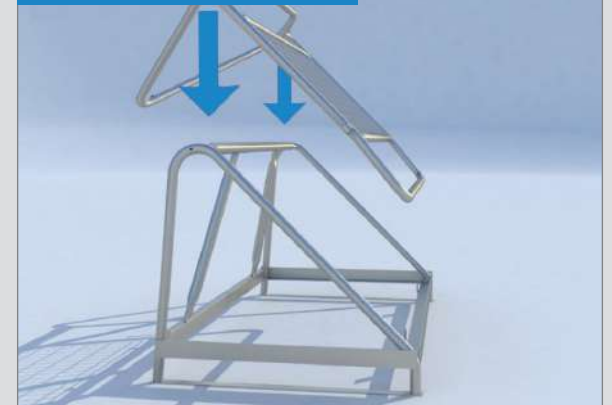
*Barriers Per Stillage



Stillage Frame



Slotting Barrier Into Stillage



Technical Details

Colour/Material: Galvanised Steel

