



Steel Hoarding

SPECIFICATION SHEET



Steel Hoarding Panel

SafeSite Facilities offer a strong, versatile hoarding system which can be easily installed and dismantled by hand. It is generally a free standing system that is more cost effective than the timber hoarding options.

Our team has over 25 years of experience, and in addition to delivering your fencing for hire or purchase, we can also install and remove any temporary system you hire from us.

2m Hoarding Fence Specification

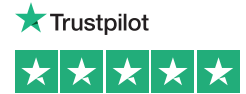
| Length | Total Height | Panel Weight |
|--------|--------------|--------------|
| 2140mm | 1980mm | 30kg |

2.4m Hoarding Fence Specification

| Length | Total Height | Panel Weight |
|--------|--------------|--------------|
| 2140mm | 2380mm | 40kg |

Key Features

- Privacy and security in a cost-effective manner
- Free-standing so no digging necessary
- Compatible with temporary fence products
- Can be painted or powder coated
- Vehicle and pedestrian gates available
- Quick and easy to install
- Create a strong and continuous barrier
- Delivery anywhere in the UK
- Available for hire or purchase



Temporary Steel Hoarding



Hoarding At Construction Site In Worthing



Steel Hoarding In Action

The images to the right show the variety of situations which the Steel Hoarding Panel can be implemented.

Meshed temporary fencing panels keep trespassers at bay, but do little to prevent determined criminals from assessing a site – steel hoarding ensures that your site is out of sight and out of mind, and also allows people on either side of the fence to continue with their work without interruption.

The hoarding panel sits in 18kg thermoplastic rubber feet and joined together using couplers, there are also many additional accessories available to create a safe fence line bespoke to your needs.

Temporary Steel Hoarding



Hoarding With Razor Wire Extension



Steel Hoarding Panels On Site

Hoarding Powder Coated White



Hoarding With Mesh Extension



Vehicle Gate

Achieving easy vehicular access to temporary construction sites can present security problems, however SafeSite's Vehicle Gates offer the perfect solution.

Vehicle gates are available in various sizes, including this 4 metre span double gate measuring either 2 or 2.4 metres in height.

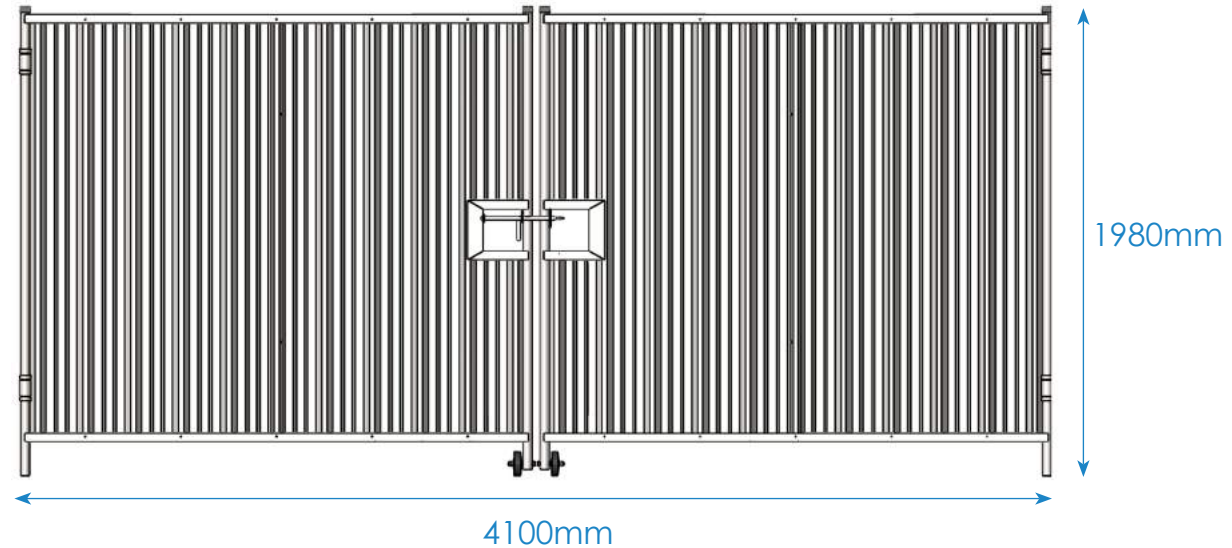
Made from weather-resistant galvanised steel, vehicle gates can be fully customised to enhance visibility and safety.

They can also carry advertising, signage and security or warning notices.

Vehicle Gate Specification

| Height | Width | Weight |
|---------------|--------|-----------|
| 1980mm/2380mm | 4100mm | 65kg/85kg |

Specification



Pedestrian Gate

Provide a secure and convenient entryway to your temporary site for all personnel with a solid hoarding pedestrian gate, and ensure the security of your perimeter is always maintained.

The Pedestrian Gate can create access points in your compound which aids the site maintaining a safe entry and exit point and with a sliding bolt that can be fastened in place with an appropriate padlock the compound can be secured when left unattended.

This gate is compatible with most temporary fencing and hoarding on the market, including our stock of temporary fencing and temporary steel hoarding.

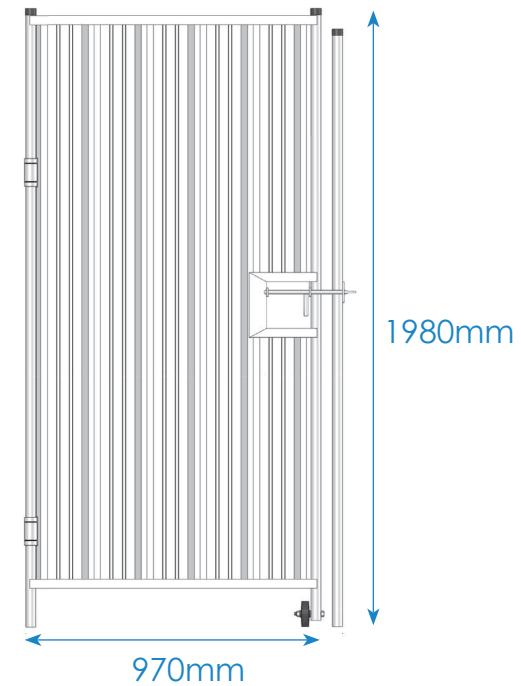
Pedestrian Gate Specification

| Height | Width | Weight |
|---------------|-------|-----------|
| 1980mm/2380mm | 970mm | 17kg/18kg |

Key Features

- Compatible with most temporary fencing and hoarding
- Ideal for construction site access
- Available for hire and purchase
- Galvanised steel
- Nationwide delivery
- Easy installation
- 2.4m high panel available

Weight 17kg



Pedestrian Access Gate



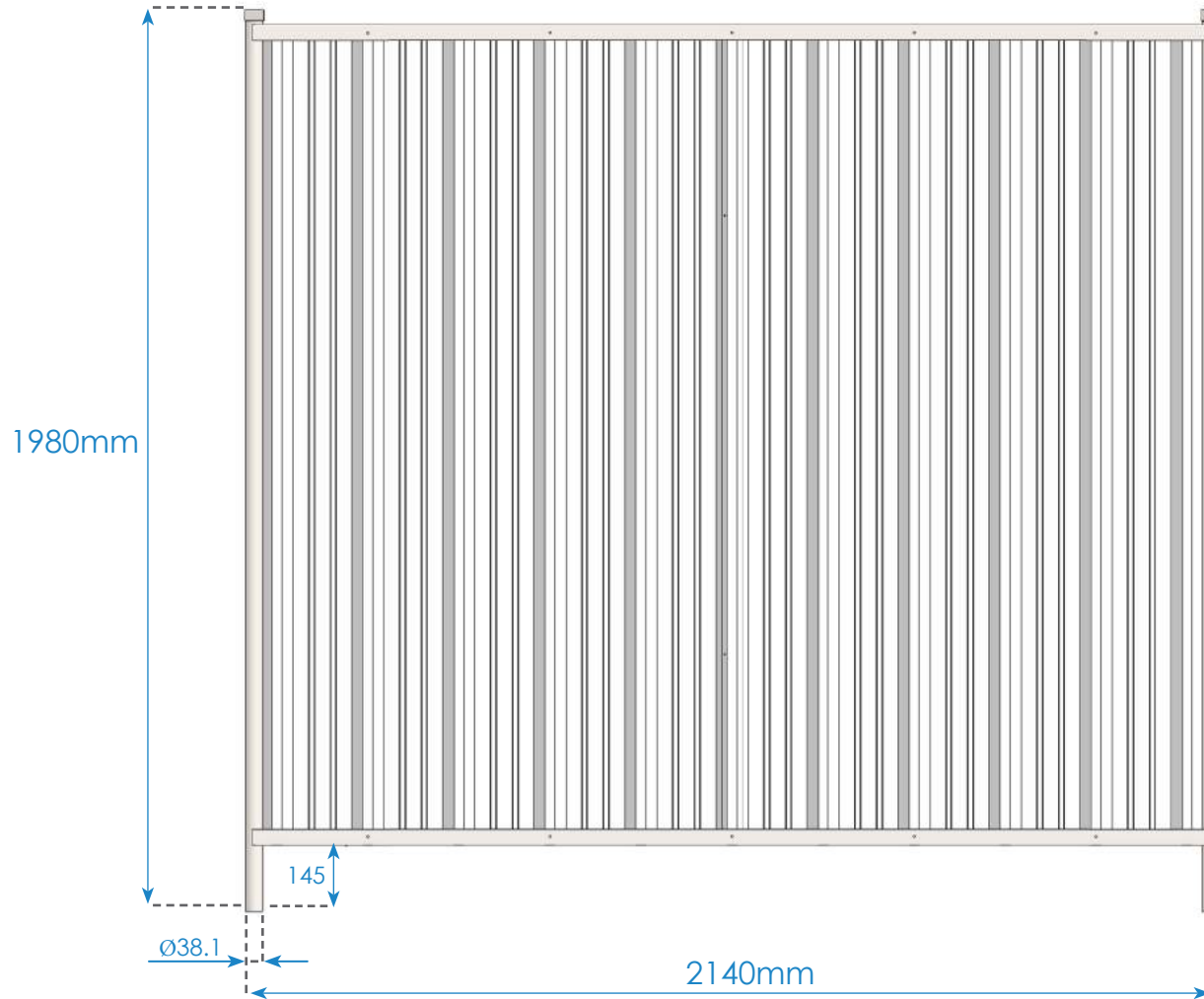
Castor Wheels Create Easy Access



Technical Details

2m Steel Hoarding Panel

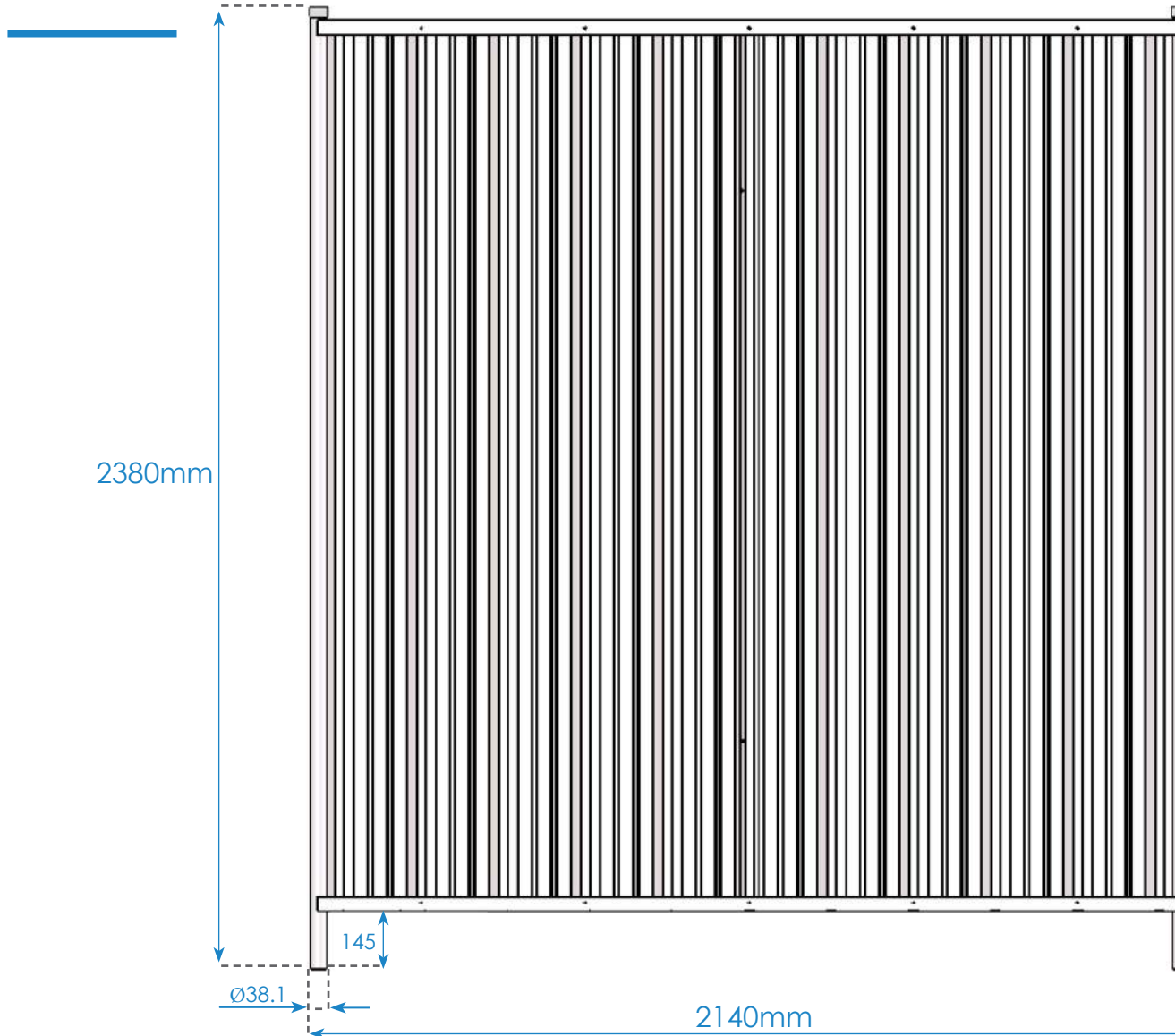
Weight 30kg



Technical Details

2.4m Steel Hoarding Panel

Weight 40Kg



Installation Parts

Please see below pictures and quantities of additional parts you may require with each hoarding panel, the parts below are an essential safety requirement when installing the hoarding system correctly.

COMPONENTS YOU WILL NEED

1



Qty 2: Coupler

2



Qty 1: Spanner

3



Qty Min 2: Hi-Vis Thermo-Plastic Feet

4



Qty 1: Anti-Lift Bracket

5



Qty 1: Hoarding Stabiliser With Block Tray

6



Qty 1: Infill Panel