

# safesite<sup>®</sup>

F A C I L I T I E S

Watchman Barrier

*SPECIFICATION SHEET*



# Watchman Barrier

Our durable and Chapter 8 Street Works compliant Watchman barriers are an ideal solution for directing both vehicular and pedestrian traffic, and enclosing potential hazards (such as street works excavations and pothole repairs) to ensure the public's safety.

Our versatile, high visibility folding Watchman barriers are available for purchase or hire and are an easy to erect and compact blockade solution allowing hassle-free storage and transportation, even in smaller vehicles.

You can order any desired combination of bases, uprights and planks to create any preferred parallelogram or linear barrier structure, and our uprights are lamp compatible.

## Watchman Barrier Specification

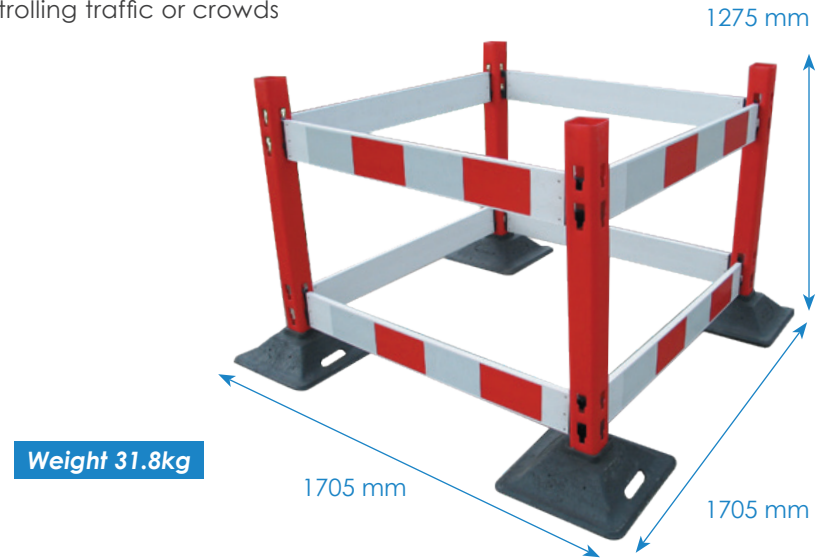
	Length	Width	Height	Weight
Base	455mm	455mm	125mm	4kg
Plank (S)	1250mm	150mm	-	1.5kg
Plank (L)	2000mm	150mm	-	2.2kg
Post	-	100mm	1150mm	0.950kg

(S) = Small, (L) = Large\*

## Key Features

- Constructed from any desired combination of bases, uprights and planks
- Lamps can be fitted to uprights, and sit inside the post for protection
- Versatile barrier suitable for controlling traffic or crowds
- Available for hire and purchase
- Easy and compact storage
- Chapter 8 compliant
- Nationwide delivery

★ Trustpilot



Weighted Feet For Stability



Watchman Forming Continuous Line



# Technical Details

