



Walkthrough Barrier Sign Holder

Specification Sheet

PBS130770

05/06/26

safesite[®]
F A C I L I T I E S



Walkthrough Barrier Sign Holder

Our Walkthrough Barrier Sign Holder is designed to securely mount A2 portrait signage directly onto our pedestrian walkthrough barriers.

Providing a simple and effective way to display safety information, directional signage, site rules or branded messaging, the sign holder helps improve communication and pedestrian management across construction sites, events and temporary works.

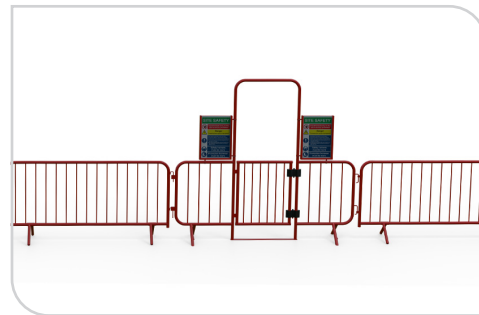
Manufactured from robust steel which is fully galvanised in either a unpainted or high-visibility red finish, the sign holder is built to withstand demanding site environments while maintaining a professional appearance. Its purpose-built design ensures a secure fit to the walkthrough barrier without affecting pedestrian flow.

Installation

The Walkthrough Barrier Sign Holder is quick and easy to install, attaching directly to compatible walkthrough barriers in minutes. Once fitted, it provides a secure mounting point for A2 sized portrait signs, ensuring important information remains clearly visible to site operatives and visitors.



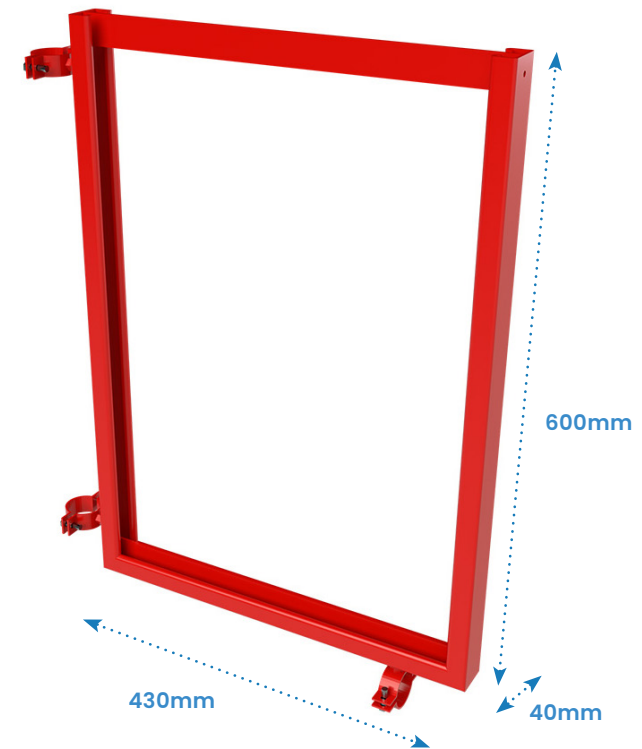
Slot your A2 signage from above



Attached with line of pedestrian barriers

Key Features

- Designed to fit SafeSite Walkthrough Barriers
- Suitable for A2 portrait signage
- Available in an unpainted or red finish
- Quick and easy installation
- Durable steel construction
- Option to attached 2 sign holders per walkthrough barrier



Description	Size (mm)	Weight (kg)
PBS130770 - Walkthrough Barrier Sign Holder - Unpainted	H600 x W430 x D40	-
PBS130775 - Walkthrough Barrier Sign Holder - Red	H600 x W430 x D40	-

